

RIELLO ARRAY

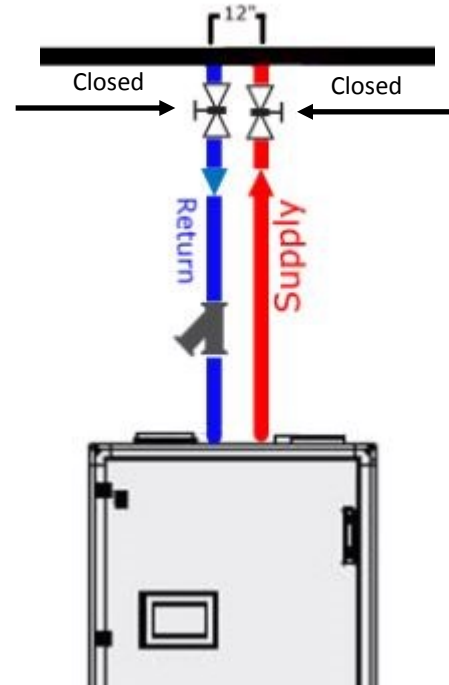
A Quick Reference Guide to Filling the Boiler



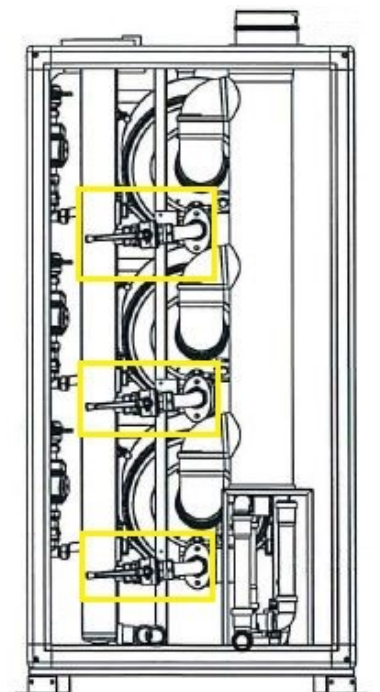
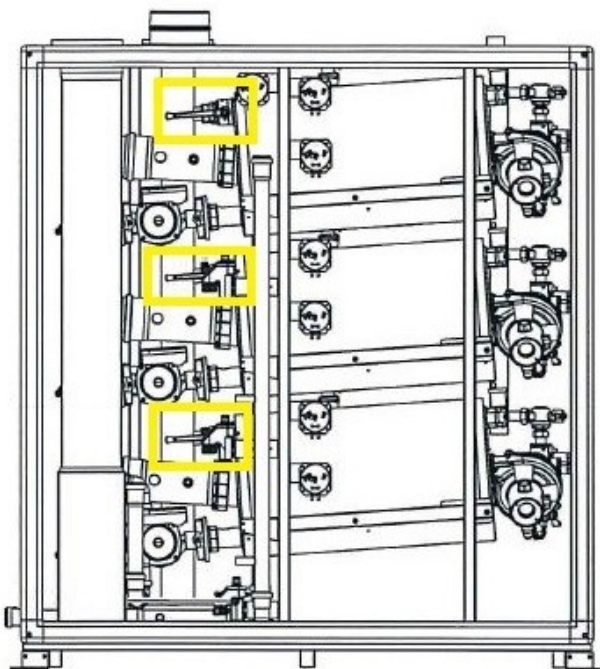
Bringing the Boiler into Service

Filling the Boiler

Before filling the system with water close both the supply and return valves in the primary loop.



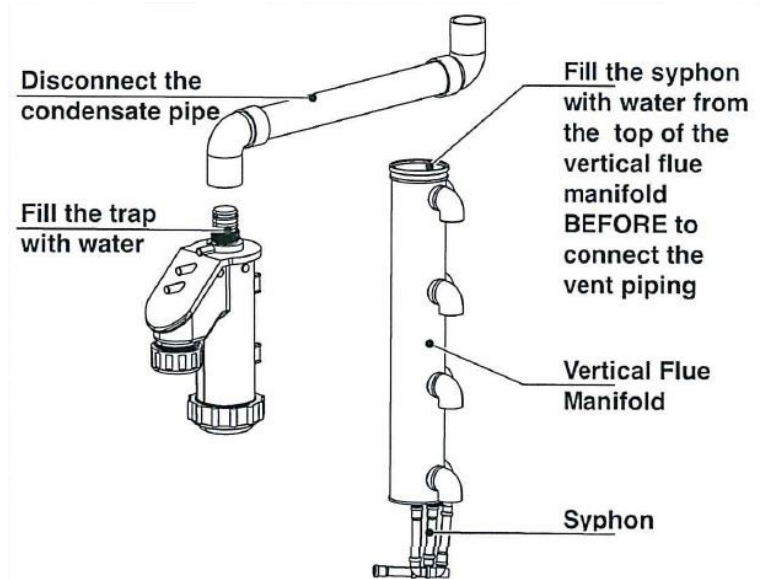
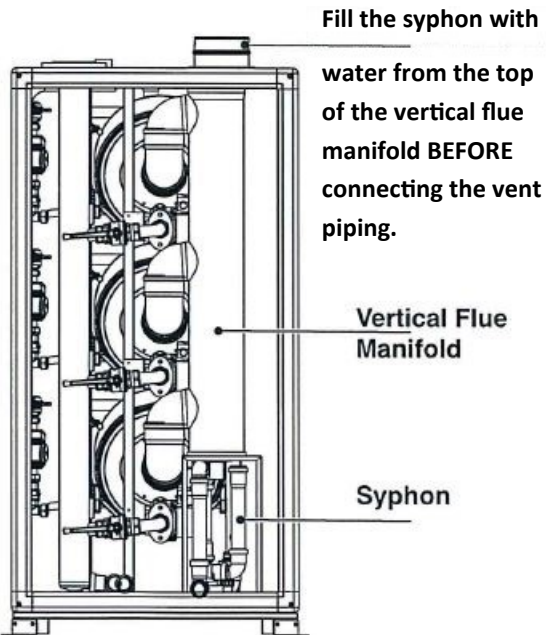
Close all water shutoff valves in the boiler.



Bringing the Boiler into Service

Filling the Boiler

Fill the Condensate Traps with 4-6 oz. & Syphon 8 oz. of water. (Ref to section 2.10 in manual)



Open Manual Air Vents in the Heating System.

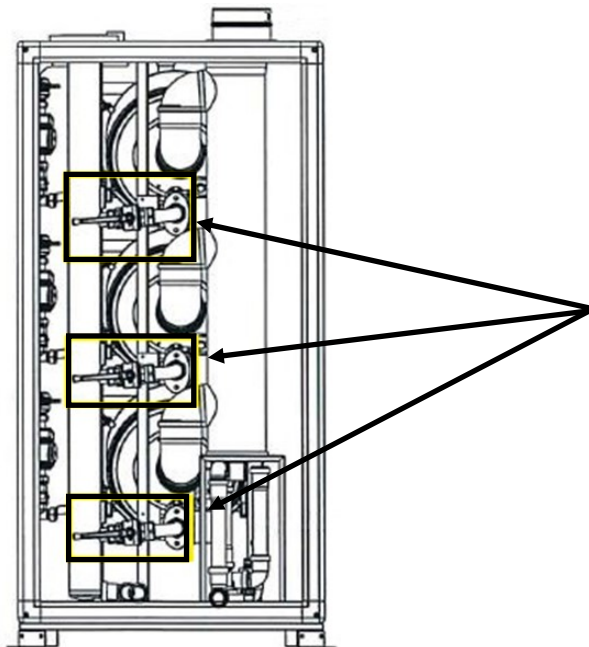
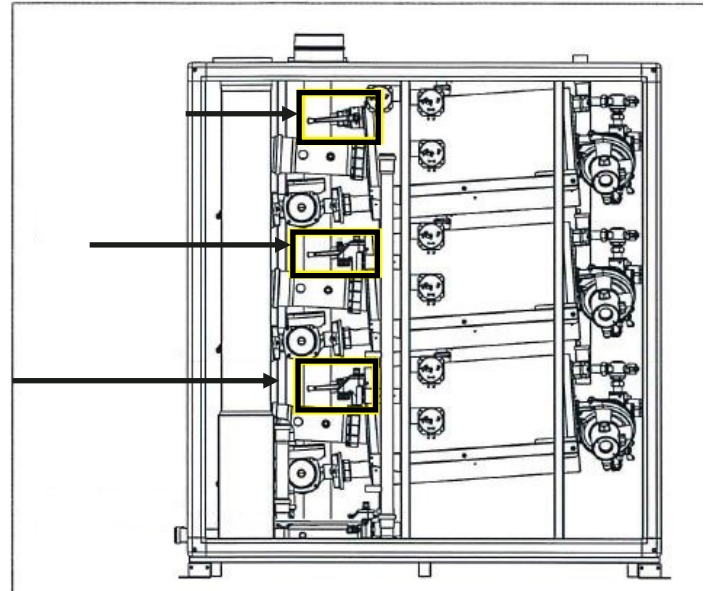


(Refer to section 3.0 in the boiler manual for commissioning information)

Bringing the Boiler into Service

Filling the Boiler

Starting at the lowest module, open the return shutoff valve on the return riser allowing the water to fill the pump and heat exchanger. The automatic vent valve should start to release the air from the heat exchanger.



Once air is purged, open the supply valve on the outlet of the heat exchanger allowing the water to fill the supply header in the boiler. Move up to the next module and repeat this process on each module.

Upon Completion open the supply valve in the primary loop.